

VariPOS S

The POS System of Forward Thinking



www.pointdus.com



Strengthen Your Business With These Benefits

- Intel® Bay Trail (Celeron J1900) CPU
- Intel® Ivy Bridge(Core i3-3217U) CPU
- All-in-One FANLESS POS System
- 15" zero-bezel with resistive touch / PCAP touch (optional)
- LED backlight for power saving
- Flexible architectures for peripheral
MSR / iButton / Fingerprint / VFD / second display supported
- Die-casting aluminum housing with IP66 certification
- Colorful plastic cover to lighten business identification
- Hidden cable management for space management
- Reliable and consistent quality to Point-of-Sales requirement





Superior Performance

Integrated with the latest Intel Bay Trail / Ivy Bridge CPU for advanced processing power.

Streamlined Upgrade

All of the cutting-edge benefits of the original, reliable VariPOS have been improved, including a FANLESS design

Satisfy Market Demand

LED backlight LCD, PCT touchscreen, True-flat glass surface, Fanless ventilation, Aluminum housing, and a Stylish appearance

Splendid Functionality

Modularized design for ease of maintenance, consistent peripheral connection, and slim design with a small footprint



* The IO cover with different color by request as options.

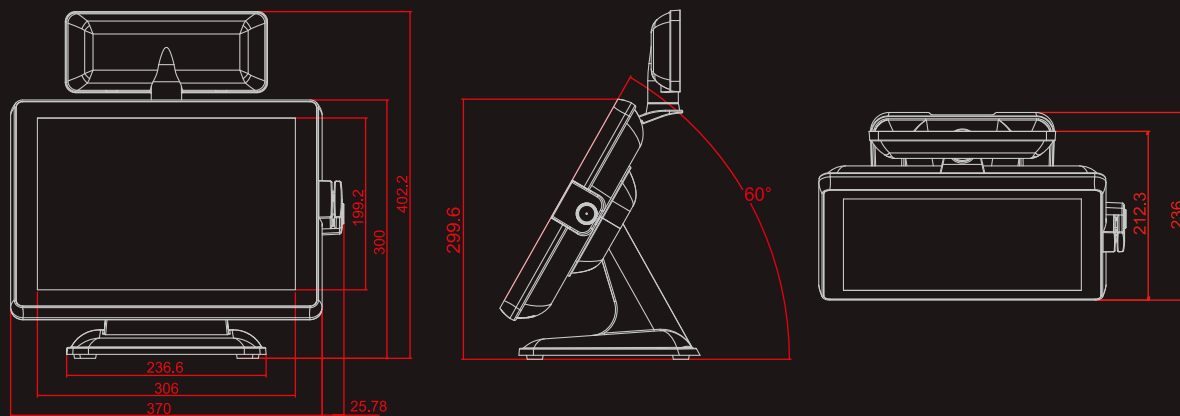


Specification

Model Name		VariPOS 715S	VariPOS 815S
Main Board	CPU	Intel® Celeron J1900 quad-core 2.0GHz (2MB Cache)	Intel® Core i3-3217U dual-core 1.8GHz (3MB Cache)
	Chipset	CPU Integrated	Intel® PCH HM76
	System Memory	1 x DDR3L(1.35V) SO-DIMM up to 8GB	1 x DDR3 SO-DIMM, up to 8GB
Display	TFT LCD	15" LED Backlight	
	Brightness	250nits	
	Resolution	True Flat Projected Capacitive Technology True Flat 5-Wire Resistive	
	Touch Screen	1024 x 768	
Storage	HDD / SSD Type	1 x SATA 2.5" HDD or SSD	1 x SATA 2.5" HDD or SSD
I/O Ports -External	DC Power Input	1 x Mini Din 4P (DC 19V only)	
	Cash Drawer	1 x RJ-11 (12V or 24V[default])	
	Network (LAN)	1 x Gigabit Ethernet by RJ-45	
	USB Port	4 x USB 2.0 / 1 x USB 3.0	4 x USB 2.0 / 2 x USB 3.0
	Serial Port	3 x RS-232(RJ48 connector) w /12V / RI by BIOS setting	3 x RS-232(RJ48 connector) [COM1/COM2(5V), COM3(12V),Power enabled by BIOS setting]
	VGA Port	1 x DB-15 VGA Port	
	Power ON/OFF	1 x power on/off switch button	
I/O Ports -Internal	Card Reader & iButton	COM6 : Internal Pin header for Card Reader & iButton	
	Audio	HD Audio, 2W Speaker x 2	
	Bus Expansion	1 x Mini-PCI-E Slot	
Compliance	IP66 on front panel		
OS Support	Windows 7, POSready 7, Win8.1 Inventor Pro Retail Version		
Power Supply	External adapter 65 watts, Voltage:+19VDC 3.42A max		
Material	Main Unit: Die-casting aluminum ; I/O Cover: Plastic (black)		
Color	Main Unit: Black		
Certifications	CE, FCC, RoHS		
Dimension (W x H x D)	370 x 300 x 236 mm		
Weight	5.68 Kg		
VESA Mounting	100 x 100 mm		
Operating Temperature	0°C ~ 40°C, 10% ~ 90% RH, non-condensing		
Storage Temperature	-20°C ~ 60°C, 10% ~ 90% RH, non-condensing		

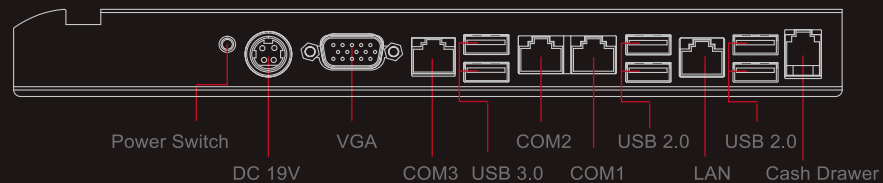
*The right has been reserved to change the specification without prior notice.

Dimensions unit:mm

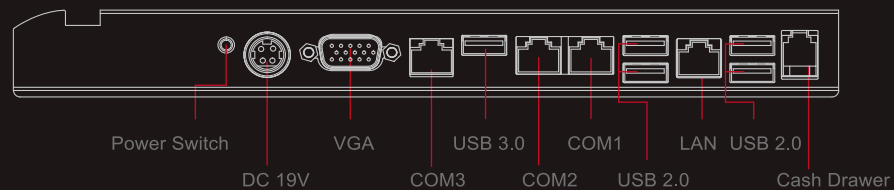


IO Interface

VariPOS 815 S



VariPOS 715 S



Ordering Information

VariPOS 715S:15" VariPOS S 715S with Intel® Celeron J1900 quad-core 2.0GHz CPU

VariPOS 815S:15" VariPOS S 815S with Intel® Core i3-3217U dual-core 1.8GHz CPU

TouchScreen Type

True Flat PCT (projected capacitive technology)

True Flat 5-wire Resistive

Optional Accessories

VFD: 2x20 Attached VFD

MSR:Front, 3 Tracks RS-232 Type or PS/2 Type

MSR & iButton:MSR-Front & iButton, RS-232 Type or PS/2 Type

RFID 13.56MHz, USB Type

Fingerprint Reader, USB Type

7" Second Display. Resolution 800 X 600

10.4" Second Display. Resolution 800 X 600

Poindus Systems Corp.

5F., No. 59, Lane. 77, Xing-Ai Rd., Neihu Dist., Taipei City 114, Taiwan(R.O.C.)

Tel: +886-2-77214688 Fax:+886-2-77212289

sales@poindus.com www.poindus.com

