

Poindus

VariPOS

Take Your
Store Experience
to The Next Level

250 €





Features

Aesthetic Appearance Designed for Hospitality & Retail Applications

VariPOS 250i features an aesthetically pleasing, modern appearance and slim panel; and is rugged enough to withstand harsh, demanding workplace environments common in the hospitality or retail industries.



Patented Double Hinge & Dual Base Mounting Points Connect with Customers at Any Angle

Patented swivel arm with flexible height/tilt adjustment for 2nd display and dual (left/Right) base mounting points for another 2nd display, LCM, or pin pad bracket.



High Speed USB Type C Connector Redefining Service

The I/O box module connects all your devices through a single high speed USB Type C connector maintaining high I/O transfer rates and easy for quick service.



The Flexibility of POS & Panel PC Meet Your Business Requirement

VariPOS 250i bring flexibility to any scenario transforming any retail spaces into versatile pay points and strategic touch points; with Desk, Pole or Wall mountable options available.



Overcome Project Limitations with Advanced I/O Customization

Independently mountable I/O box for Panel PC configuration provides clutter-free point of sale stations with advanced cable management.



All in one Mountable Panel PC with Quick Swap & Maintenance Benefits for Retail & Hospitality Industry

The durability and flexibility meets the demand with Pole- or Wall mountable options & frees up space for application. The quick service design reduces downtime & is easy to clean and maintain for the user.



Detail features

- Intel 6th Generation Celeron i3,i5 high-end processors in a fanless structure
- True flat 15" 4:3 LCD (LED backlight), 400 nits with IP66 protection
- Patented swivel arm with height adjustment & tilt-angle 2nd screen, mountable at either right or left side of base
- Panel PC configuration available
- High speed Type C connector for customizable IO box to meet project specification
- 1 x 24V, 2 x 12V Powered USB for retail peripherals (Vari IO)
- Quick SWAP IO box for easy maintenance
- Peripheral compatibility across the whole VariPOS 2xx series: LCM, 10.1" 2nd display with patented double hinge, MSR, iButton, Fingerprint, RFID, Scanner

Ordering Information

VariPOS 250i (with Vari IO)

- | | |
|------------------------------|---|
| ▪ VariPOS 250i i5-6300U | Intel® Skylake Core™ i5-6300U 3.0 GHz CPU |
| ▪ VariPOS 250i i3-6100U | Intel® Skylake Core™ i3-6100U 2.3 GHz CPU |
| ▪ VariPOS 250i Celeron 3955U | Intel® Skylake Celeron® 3955U 2.0 GHz CPU |



Multi-touch Screen



Waterproof -
IP66 on Front Panel



Quick Maintenance



VariPPC 250

- | | |
|------------------------------|---|
| ▪ VariPOS 250i i5-6300U | Intel® Skylake Core™ i5-6300U 3.0 GHz CPU |
| ▪ VariPOS 250i i3-6100U | Intel® Skylake Core™ i3-6100U 2.3 GHz CPU |
| ▪ VariPOS 250i Celeron 3955U | Intel® Skylake Celeron® 3955U 2.0 GHz CPU |



Multi-touch Screen



Waterproof -
IP66 on Front Panel



VariPPC 250i (with Vari IO)

- | | |
|------------------------------|---|
| ▪ VariPOS 250i i5-6300U | Intel® Skylake Core™ i5-6300U 3.0 GHz CPU |
| ▪ VariPOS 250i i3-6100U | Intel® Skylake Core™ i3-6100U 2.3 GHz CPU |
| ▪ VariPOS 250i Celeron 3955U | Intel® Skylake Celeron® 3955U 2.0 GHz CPU |



Multi-touch Screen



Waterproof -
IP66 on Front Panel



Extendable Vari IO



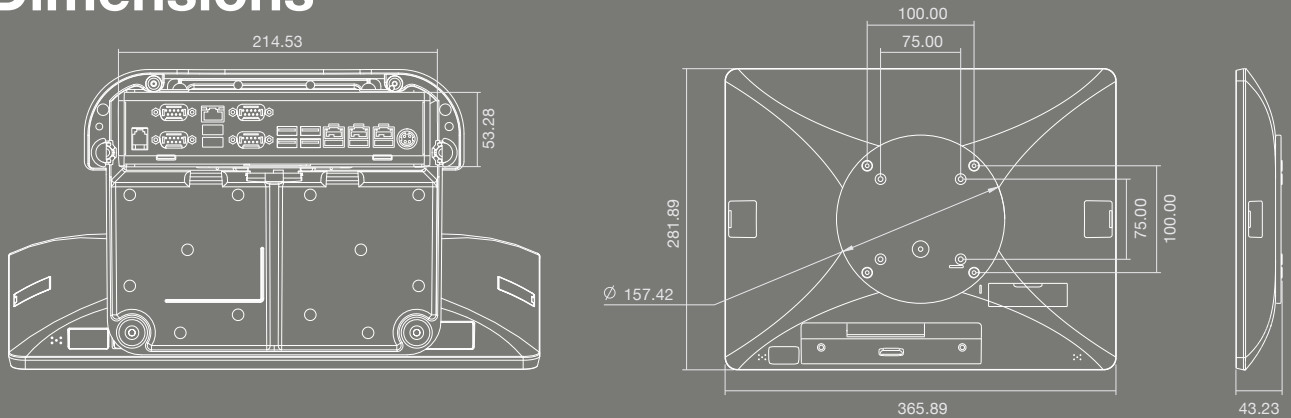
Specification

Model Name		• VariPOS 250i / VariPPC 250i	• VariPPC 250
Main Board	Processor	Intel® Core™ i5-6300U Processor Intel® Core™ i3-6100U Processor Intel® Celeron® Processor 3955U	
	Chipset	CPU Integrated	
	System Memory	1 x SO-DIMM DDR4 slot, 4GB RAM as standard. Max. memory support up to 16GB. Easy access with secured cover for easy maintenance.	
	TPM	Intel F/W	
Display & Touch	LCD Size	15" 4:3 TFT LCD (LED backlight)	
	Brightness	400nits	
	Resolution	1024 x 768 (4:3)	
	Touch	True Flat Projected Capacitive Technology	
Storage	HDD/SSD	1 x SATA III (2.5")	
I/O & Expansion	DC Input	1 x Mini Din 4P (DC +19V only)	
	Cash Drawer	1 x RJ-11 (Support DC +12V or +24V (default) port supports 2 cash drawers	N/A
	LAN port	1 x Gigabit Ethernet by RJ-45	
	USB port	4 x USB 3.0 4 x USB 2.0	2 x USB 3.0
	Powered USB Port	2 x DC+12v Powered USB 1 x DC+24v Powered USB	N/A
	COM port	4 x RS-232 (jumper setting, support DC+0/5/12v, default setting is 0v)	N/A
	Bus Expansion	1 x Mini-PCI-E Slot	
	Power Switch	1 x power on/off button	
	Speaker	HD Audio, 2W Speaker x 2	
OS Support	Win10 2016, Win8.1, Win7/POS Ready 7		
Power Adapter (External adapter)	Voltage:+19VDC, Std. 180watt.		Voltage:+19VDC, Std. 65watt.
Compliance	Certifications	CE, FCC, LVD, RoHS	
	Protection	IP 66 on front panel	
Material	Main Unit: Die-Cast Aluminum		
Color	Main Unit: Space Gray / Black, Space Gray / White		
Dimension (W x H x D mm)	365.89 x 354.48 x 196.55 mm / 365.89 x 281.89 x 43.23 mm		365.89 x 281.89 x 43.23 mm
Environmental Condition	Operating	0°C ~ 40°C, 10% ~ 90% RH, non-condensing	
	Storage	-20°C ~ 60°C, 10% ~ 90% RH, non-condensing	

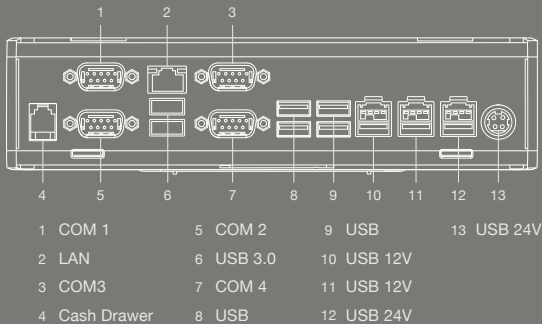
Model Name		• VariPOS 250i / VariPPC 250i	• VariPPC 250
Optional Accessories	2nd Display	10.1 " Resolution 1280 x 800 (16:10 wide screen) USB Type	N/A
	LCM	2x20 USB Type	N/A
	MSR	ISO 3-Tracks Slim MSR USB Type	
	ibutton	Dallas USB Type	
	RFID	13.56Mhz USB Type	
	Fingerprint	DigitalPersona U.are.U 4500 Module USB Type	
	Scanner	2D scanner, USB Type	
Carton		L 460 x W 300 x H 510 mm (VariPOS 250i)	

* The right has been reserved to change the specification without prior notice

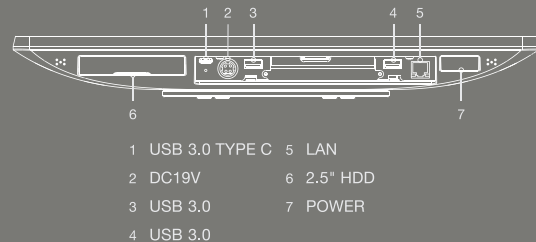
Dimensions



IO Box (PE18)



Panel PC IO Interface (PE17)





Poindus Systems Corp. Headquarters

5F, No.59, Ln. 77, Xing-Ai Rd., Neihu Dist., Taipei City 114, Taiwan. R.O.C

☎ + 886 27721 4688

📠 + 886 27721 2289

✉ sales@poindus.com

France

Paris Nord 2 - MicroPark – Bat. F
33 rue des Chardonnerets 93290 – Tremblay en France

☎ + 33 (0)1 80 90 74 20

✉ fr.sales@poindus.com

Germany

ADASYS GmbH Elektronische Komponenten
Max-Planck-Str. 10 70806 Kornwestheim

☎ + 49 7154 83000

📠 + 49 7154 8300 599

✉ info@adasys.de

UK

12 Chancerygate Business Centre, Whiteleaf Road,
Hemel Hempstead HP3 9HD

☎ + 44 330 555 0081

📠 + 44 330 555 0082

✉ puk@poindus.com

USA

17128 Colima Rd, #828, Hacienda Heights,
CA 91745

☎ +1 855 922 0077

📠 +1 855 922 0077

✉ sales@poindus-usa.com