

Poindus  
COMPAL GROUP

# VariPOS

Witness the Boundless Future

256 S / 256 A



reddot winner 2021



# Features

## Ultra-Slim Bezel Design for Modern Retail

Experience ultra-slim bezel design (4.8mm), with elegant and stylish appearance. Deliver a seamless viewing experience eliminating surrounding distractions.



**15.6"** True Flat Touch

## Full HD Display with Virtually Borderless Widescreen

Deliver a clear, crisp and vivid High Definition picture which is perfect for highly complex and image-intensive retail applications.



**Full HD** 1920 x 1080

## VarilO I/O Box Higher Scalability

Connect a single high-speed USB Type C to all peripherals which can both reduce service requirements and maximize uptime.



## Easier to Operate, Better to Serve

Dual hinged stand developed for wide angled flexibility, giving users an excellent viewpoint for a high degree of comfort and efficiency.



# Higher Compatibility, Less Investment

VariPOS 2 Series uses common peripherals.  
Cross compatibility reduces peripheral inventory  
and lowers the total cost of ownership (TCO).



2nd Display



LCM



iButton



RFID



Fingerprint



MSR



Scanner

# Ordering Information

## VariPOS 256S (Optional VariIO I/O Box-PE18)

### PE17

- |                 |   |
|-----------------|---|
| ▪ i5-7300U      | Intel® Kaby Lake Core™ i5-7300U CPU up to 3.5 GHz |
| ▪ i3-6100U      | Intel® Sky Lake Core™ i3-6100U 2.3 GHz CPU        |
| ▪ Celeron 3955U | Intel® Sky Lake Celeron® 3955U 2.0 GHz CPU        |

## VariPOS 256A (Optional VariIO I/O Box-PE19)

### PE22

- |                  |  |
|------------------|--|
| ▪ i5-8365UE      | Intel® Whiskey Lake Core™ i5-8365UE up to 4.10 GHz CPU |
| ▪ i3-8145UE      | Intel® Whiskey Lake Core™ i3-8145UE 3.90 GHz CPU       |
| ▪ Celeron 4305UE | Intel® Whiskey Lake Celeron® 4305UE 2.00 GHz CPU       |

### PE24

- |                 |   |
|-----------------|---|
| ▪ Celeron J6412 | Intel® Elkhart Lake Celeron®J6412 2.60GHz CPU |
|-----------------|---|



Multi-touch Screen



Dual Hinged Stand



Quick & Easy Maintenance



Extendable VariIO I/O Box  
Custom Type C connector



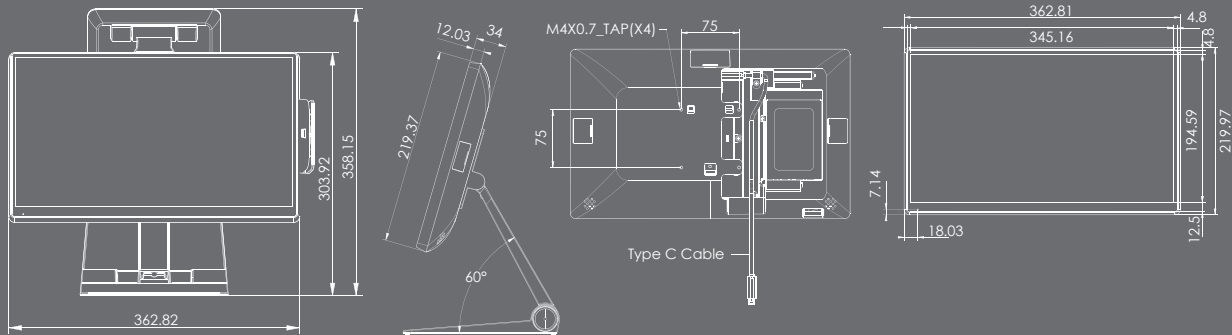
# Specification

| Model Name                            |   | • VariPOS 256S (PE17)  | • VariPOS 256A (PE22)   | • VariPOS 256A (PE24)   |
|---------------------------------------|---|--|---|---|
| Main Board                            | Processor   | Intel® Core™ i5-7300U<br>Intel® Core™ i3-6100U<br>Intel® Celeron® 3955U      | Intel® Core™ i5-8365UE<br>Intel® Core™ i3-8145UE<br>Intel® Celeron®4305UE | Intel® Celeron® J6412   |
|                                       | Chipset   | CPU Integrated   |   |   |
|                                       | System Memory   | 1 x SO-DIMM DDR4 slot, 4GB RAM as standard. Max. memory support up to 16 GB. |   |   |
|                                       | TPM   | Intel F/W  |   |   |
|                                       | Intel AMT   | Only i5 CPU  |   | N/A   |
| Display & Touch                       | LCD Size  | 15.6" 16:9 TFT LCD (LED backlight)   |   |   |
|                                       | Bezel   | Slim-Edge 4.8mm Bezel Design   |   |   |
|                                       | Brightness  | 350 nits   |   |   |
|                                       | Resolution  | 1920 x 1080 Full HD  |   |   |
|                                       | Touch   | True Flat Projected Capacitive Technology                                    |   |   |
| Storage                               | HDD/SSD   | 1 x SATA III (2.5")  | 1 x SATA III (2.5") or M.2 Storage (Option)                               |   |
| Panel I/O                             | LAN Port  | 1 x Gigabit Ethernet by RJ-45  |   |   |
|                                       | USB Port  | 2 x USB 3.0  | 2 x USB 2.0, 4 x USB 3.1  | 3 x USB 2.0, 3 x USB 3.1  |
|                                       | Speaker   | HD Audio, 2W Speaker x 2   |   |   |
|                                       | Power Switch  | 1 x power on/off button  |   |   |
|                                       | COM Port  | N/A  | 2 x RJ48 (Support DC+0/5/12v by BIOS setting, default setting is 0v)      |   |
|                                       | Cash Drawer   | N/A  | 1 x RJ11 (Support DC+12v or +24v (default)) port supports 2 cash drawers  |   |
|                                       | DC Input  | 1 x Mini Din 4P (DC+19v only)  |   |   |
| VariIO I/O Box & Expansion (Optional) | Cash Drawer   | 1 x RJ-11 (Support DC +12V or +24V (default)) port supports 2 cash drawers   |   |   |
|                                       | LAN Port  | 1 x Gigabit Ethernet by RJ-45  |   |   |
|                                       | USB Port  | 2 x USB 3.0; 4 x USB 2.0   |   |   |
|                                       | Powered USB Port (Project Based)                                | 2 x DC+12v Powered USB<br>1 x DC+24v Powered USB                             |   |   |
|                                       | COM Port  | 4 x RS-232 (jumper setting, support DC+0/5/12v, default setting is 0v)       |   |   |
|                                       | Type C  | N/A  | 1 x Type C  |   |
| OS Support                            | Win 10 ( 64bit ) / Win 7 (32bit/64bit)                          |  | Windows 10 (64bit)  |   |
| Power Adapter ( External adapter )    | Voltage:+19VDC, Std. 90 watt<br>*PUSB will use 180 watt adapter |  |   | Voltage:+19VDC, Std. 65 watt<br>*PUSB will use 180 watt adapter |
| Compliance                            | Certifications  | CE, FCC, LVD , RoHS  |   |   |
| Material                              | Main Unit: Die-Cast Aluminum                                    |  |   |   |
| Color                                 | Main Unit: Space Gray / Black                                   |  |   |   |
| Dimension ( W x H x D mm )            | 362.8 x 304 x 175.3   |  |   |   |
| Environmental Condition               | Operating   | 0°C ~ 40°C, 10% ~ 90% RH, non-condensing                                     |   |   |
|                                       | Storage   | -20°C ~ 60°C, 10% ~ 90% RH, non-condensing                                   |   |   |

| Model Name           | • VariPOS 256S (PE17) | • VariPOS 256A (PE22)  | • VariPOS 256A (PE24) |
|----------------------|-----------------------|--|-----------------------|
| Optional Accessories | MSR                   | ISO 3-Tracks Slim MSR USB Type   |                       |
|                      | iButton               | Dallas Key Reader, USB Type  |                       |
|                      | RFID                  | 13.56Mhz USB Type  |                       |
|                      | Fingerprint           | Digital Persona U.are.U 4500 Module USB Type   |                       |
|                      | Scanner               | 2D scanner, USB Type   |                       |
|                      | 2nd Display           | 10.1" Resolution 1280 x 800 (16:10 wide screen) USB Type, with or without True-flat P-cap 10 point Multi-touch |                       |
|                      | LCM                   | 2x20 USB Type  |                       |

\* The right has been reserved to change the specification without prior notice.

# Dimensions



## Panel PC IO Interface

### VariPOS 256S (Sky Lake/Kaby Lake-PE17)



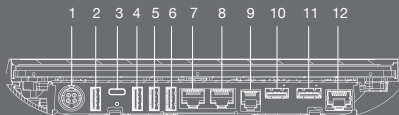
1. USB TYPE-C
2. DC 19V
3. USB 3.0
4. USB 3.0
5. LAN

### VariPOS 256A (Whiskey Lake-PE22)



1. DC 19V
2. USB 3.1
3. USB Type C
4. USB 3.1
5. USB 2.0
6. USB 2.0
7. COM 1
8. COM 2
9. Cash Drawer
10. USB 3.1
11. USB 3.1
12. LAN

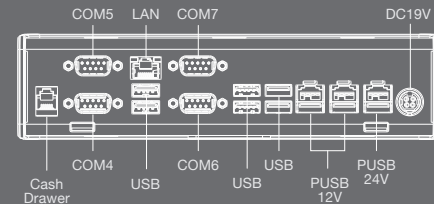
### VariPOS 256A (Elkhart Lake-PE24)



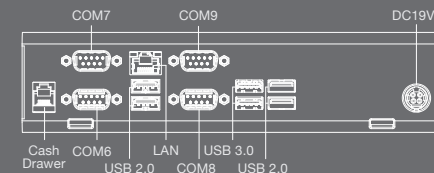
1. DC 19V
2. USB 3.1
3. USB Type C
4. USB 2.0
5. USB 2.0
6. USB 2.0
7. COM 1
8. COM 2
9. Cash Drawer
10. USB 3.1
11. USB 3.1
12. LAN

## VariIO I/O Box

### (PE18)



### (PE19)





**Poindus Systems Corp. Headquarters | [www.poindus.com](http://www.poindus.com)**

5F, No.59, Ln. 77, Xing-Ai Rd., Neihu Dist., Taipei City 114, Taiwan. R.O.C

☎ + 886 27721 4688

📠 + 886 27721 2289

✉ [sales@poindus.com](mailto:sales@poindus.com)

### Germany

ADASYS GmbH Elektronische Komponenten  
Max-Planck-Str. 10 70806 Kornwestheim

☎ + 49 7154 83000

📠 + 49 7154 8300 599

✉ [info@adasys.de](mailto:info@adasys.de)

### UK

3 Devonshire Business Park, Basingstoke,  
Hampshire, RG21 6XN, UK

☎ +44 (0)1256 331 336

✉ [puk@poindus.com](mailto:puk@poindus.com)

### Spain/Portugal

C/ Los Sueños 14, Polígono Industrial Santa Cruz  
29004 Málaga-Spain

☎ +34 956 108 777

✉ [info@poindus.es](mailto:info@poindus.es)